

SELC External CMS Module

SECURE, PROVEN, TWO-WAY LIGHTING CONTROL FOR ANY DEPLOYMENT

The SELC External CMS luminaire module with embedded Itron (formerly known as Silver Spring Networks) communications provides reliable, secure, two-way control and monitoring for outdoor lights. LED Luminaire life can easily be extended with the dimming control feature and in turn allow users to improve lumen output over time. Used for adding control to existing lights or as part of an LED renovation project, the Itron Connected technology has proven resilience and manageability across millions of network endpoints.

SELC redefined street lighting expectations in 1982 with the industry's first long-life photocell, some of which are still operational over 30 years later. SELC External CMS Modules employ the patented SELC Relay Assisted Triac (RAT) switching technique, to reliably switch reactive lighting loads year after year.

The SELC external and internal modules with integrated Itron communications together with the advanced Streetlight Vision CMS front end software provide the best-in-class solution for efficient luminaire operation. The robust network capabilities and use of open standards such as IPv6 allow the network to support additional smart city applications such as traffic-light control, parking automation and other networked sensors for enhanced living.

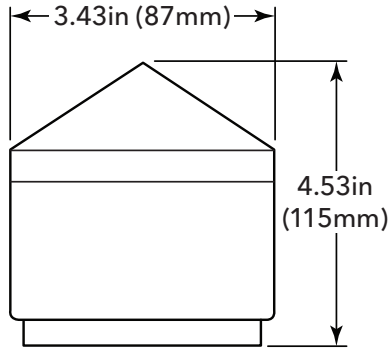
The Itron Solution includes multi-layer security policy enforcement and monitoring with end-to-end encryption (AES-128/256) and access control to ensure protection of critical infrastructure and data. Deployment options include full product licensing or CMS as a service.

Key benefits of the External CMS Module:

- Proven SELC quality and reliability with over 30 years of lighting control experience
- Proven Itron networking technology - Over 17 million connected devices
- Up to 65% energy savings when deployed in conjunction with LED lights
- Up to 40% operational savings through control and monitoring
- Robust multilayer security with end-to-end encryption and full PKI (X.509) infrastructure
- Redundant, auto-healing, auto configuring network using open standards such as IPv6 and IEEE 802.15.4g
- Over-the-air configuration and firmware upgrades
- Economic scalability from small pilots to metropolitan or country-wide deployments
- Energy metrology up to 0.5% accuracy, with per day, per hour, or per minute records and robust utility billing integration
- Infrared Meter Calibration Interface



SELC External CMS Module SECURE, PROVEN, TWO-WAY LIGHTING CONTROL



Technical Specifications

Metering Accuracy	0.5% or 1% Energy Accuracy available as custom option. Standard Energy Accuracy: 2%
Metering Range	105 - 305VAC, 10A RMS Full Accuracy to ANSI C12.20
Turn ON Light Level	16 or 35 Lux (1.5 or 3.25 fc), other levels available on request. Can also be set by schedule.
Housing Material	UV Stabilized Polycarbonate
Enclosure Sealing	IP66 / IP67 available as option.
Dimensions	H 115mm x D 87mm; Weight 267g
Switch Ratio (OFF:ON)	Typically 1.5:1; however, configurable to your requirements.
Guarantee	5 years* Extended Warranty Available
Rated Load	1800VA 3 x 400W
Maximum Load Current	10 Amps standard 16 Amps available as custom option
Operating Temperature Range	-40°C to +70° C (-40°F to +158°F)
Circuit Power Consumption	<2Watts Average Power @120 VAC
Manufacturing Standard	EN ISO 9001:2008
Photo Control designed to satisfy the following standards	BS5972, ANSI C136.10, ANSI C136.41, UL773/CSA C22.2, EMC EN55015, EN61547 EN61000-3-2, EN61000-3-3, EN61347
Operating Voltage	105 - 305VAC (50/60Hz)
Compliance	RoHS, FCC, CE
Options for controlling LED driver	DALI or 0-10VDC. Field reconfigurable after install.
Itron Networking Specification	Powerful 1-watt radio, Frequency-Hopping Spread Spectrum up to 300kb/s mesh networking Automatic data routing with self-configuration, auto-healing & redundant uplinks 1Pv6 transport Full application & link-layer security with full PKI, AES-128 and -256, and embedded firewall
MOV Protection	320J, 6kv/3kA standard. Option: 420J tested to exceed 10 surges at 20,000V / 10,000A



*Guarantee subject to SELC Terms & Conditions. All specifications subject to change without notice.

www.selclighting.com

SELC USA
Tel +1.919.723.1046
SELCInfo@xyleminc.com
www.selclighting.com

SELC Ireland Unit
E3, Ballycoolin
Industrial Estate,
Centreport, Dublin11
Tel +353.25.48020
www.selc.ie